

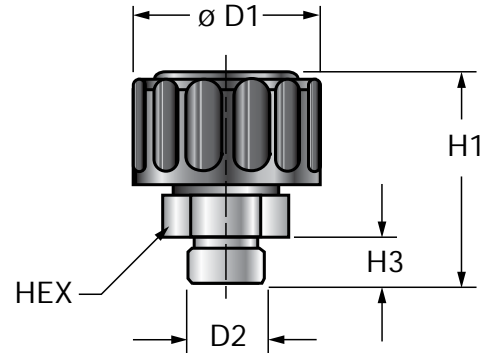
BF...3 & BF...4 Series Breathers



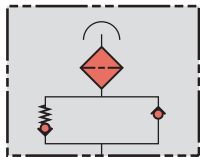
Specifications:

- Maximum flow rate - 35 SCFM/250 GPM
- Epoxy coated steel cap
- Zinc-plated internals
- 3 or 10 micron
- Threaded connection
- Pressurized breather with relief valve (*optional - BF3 only*)

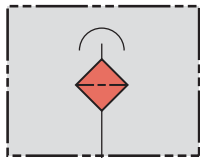
Dimensions:



Hydraulic Symbols:



with relief valve (BF3 only)



standard

Size	D1	D2 (male)	H1	H3	HEX
BF 3...1.0 BF 3...RV	Ø 2.99" 76mm	G 3/4 (ISO 228)	3.11" 79mm	0.63" 16mm	1 7/16" 36mm
BF 3...2.0	Ø 2.99" 76mm	G 3/8 (ISO 228)	2.83" 72mm	0.47" 12mm	7/8" 22mm
BF 3...3.0	Ø 2.99" 76mm	G 1/2 (ISO 228)	2.99" 76mm	0.55" 14mm	1 1/16" 27mm
BF 4...1.0	Ø 1.73" 44mm	G 1/4 (ISO 228)	2.44" 62mm	0.53" 13.5mm	11/16" 17mm

Model Code: BF...3 & BF...4

BF P 3 G 10 W 1 . 0 /

Filter Type

BF = Breather

Filter Element Material

P = Phenolic Resin Impregnated Paper

Size

3 = 35 SCFM (250 GPM) Max.

4 = 10 SCFM (80 GPM) Max.

Type of Connection

G = Threaded

Filtration Rating (micron)

3 = *3µm Air Filtration*

10 = 10µm Air Filtration

Gauge Options

W = Without Indicator

Tank Thread Connection (ISO 228)

1 = BF3 = G 3/4

1 = BF4 = G 1/4

2 = BF3 = G 3/8

3 = BF3 = G 1/2

4 = BF3 = G 3/4 with RV Relief Valve (Relief Cracking Pressure 10 psi) Reseat Pressure 6 psi

5 = BF3 = G 3/4 with RV Relief Valve (Relief Cracking Pressure 13 psi) Reseat Pressure 10 psi

6 = BF3 = G 3/4 with RV Relief Valve (Relief Cracking Pressure 6 psi) Reseat Pressure 3 psi

Modification Number (standard)

Supplementary Details

(omit) = (standard)

RV = Relief Valve (For Use on Pressurized Tanks)(BF3P only)

*Model Codes containing selections listed in red italics are non-standard items – Minimum quantities may apply – Contact HYDAC for information and availability
Not all combinations are available*

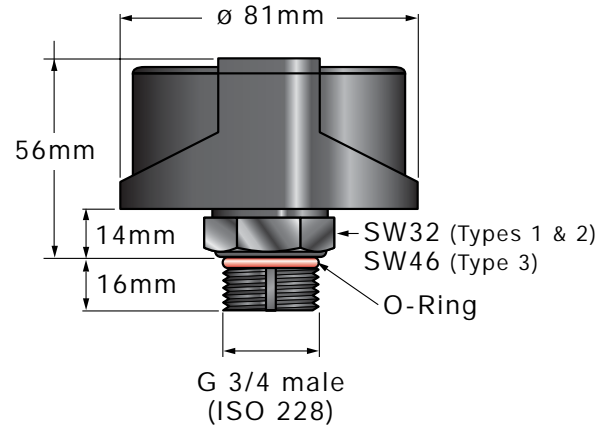
BF...30 Series Breathers



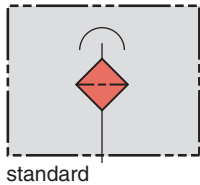
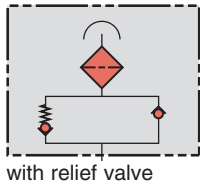
Specifications:

- Maximum flow rate - 25 SCFM/200 GPM
- Durable synthetic material (PA6)
- 3 or 10 micron
- Threaded breather connection
- Optional dipstick (*contact factory*)
- Optional customer logo (*contact factory*)
- Pressurized breather with relief valve (*optional*)

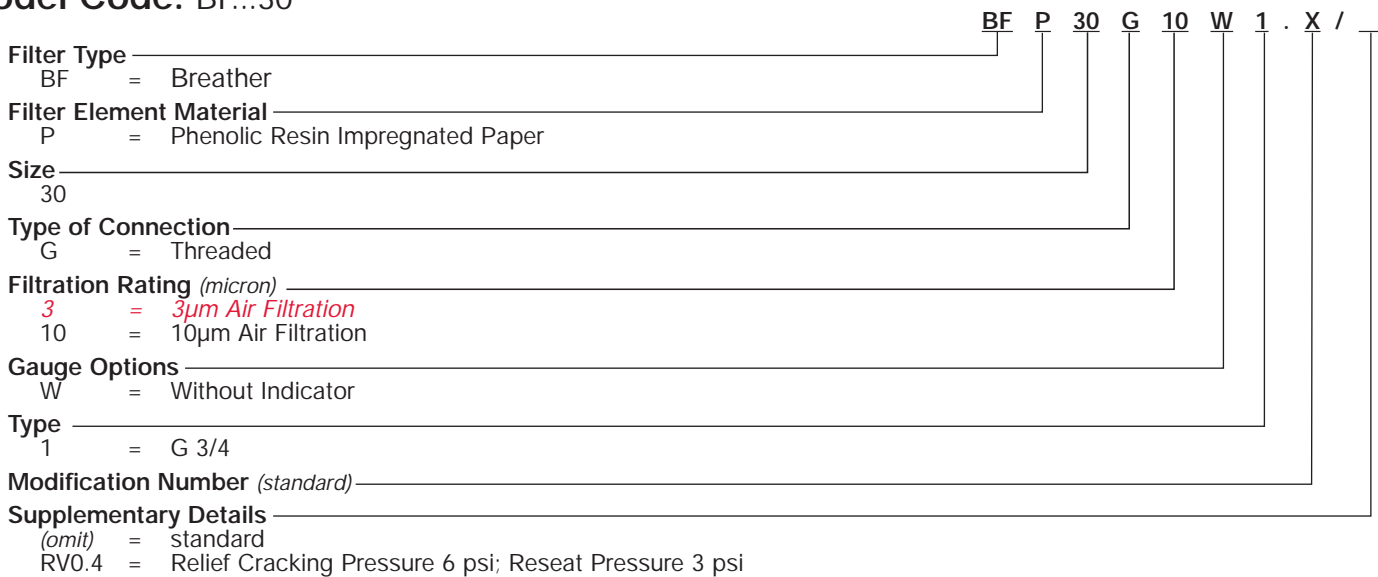
Dimensions:



Hydraulic Symbol:



Model Code: BF...30



*Model Codes containing selections listed in red italics are non-standard items – Minimum quantities may apply – Contact HYDAC for information and availability
Not all combinations are available*

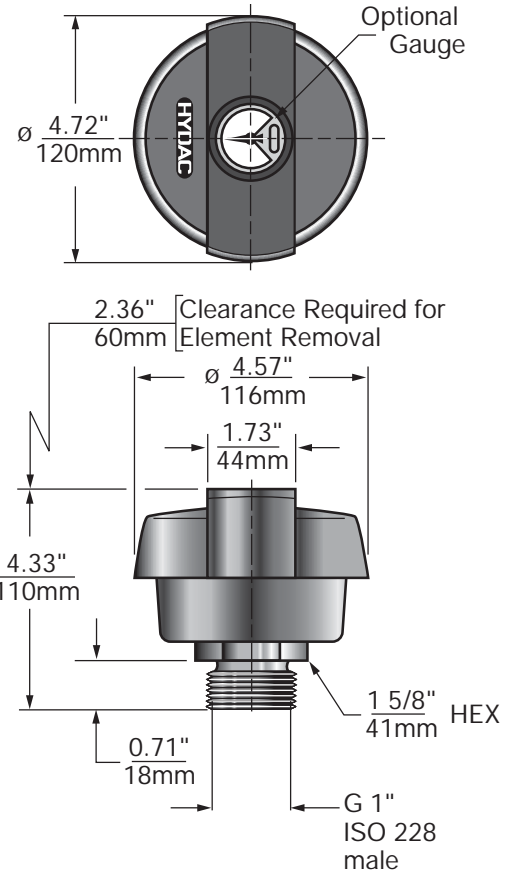
BF...7 Series Breathers



Specifications:

- Maximum flow rate - 65 SCFM/500 GPM
- Durable synthetic material
- 3 or 10 micron
- Replaceable element
- Threaded breather cap connection
- Differential gauge (*optional*)

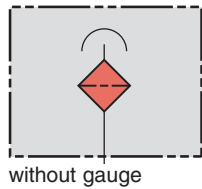
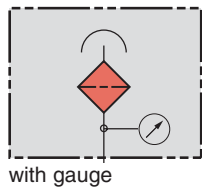
Dimensions:



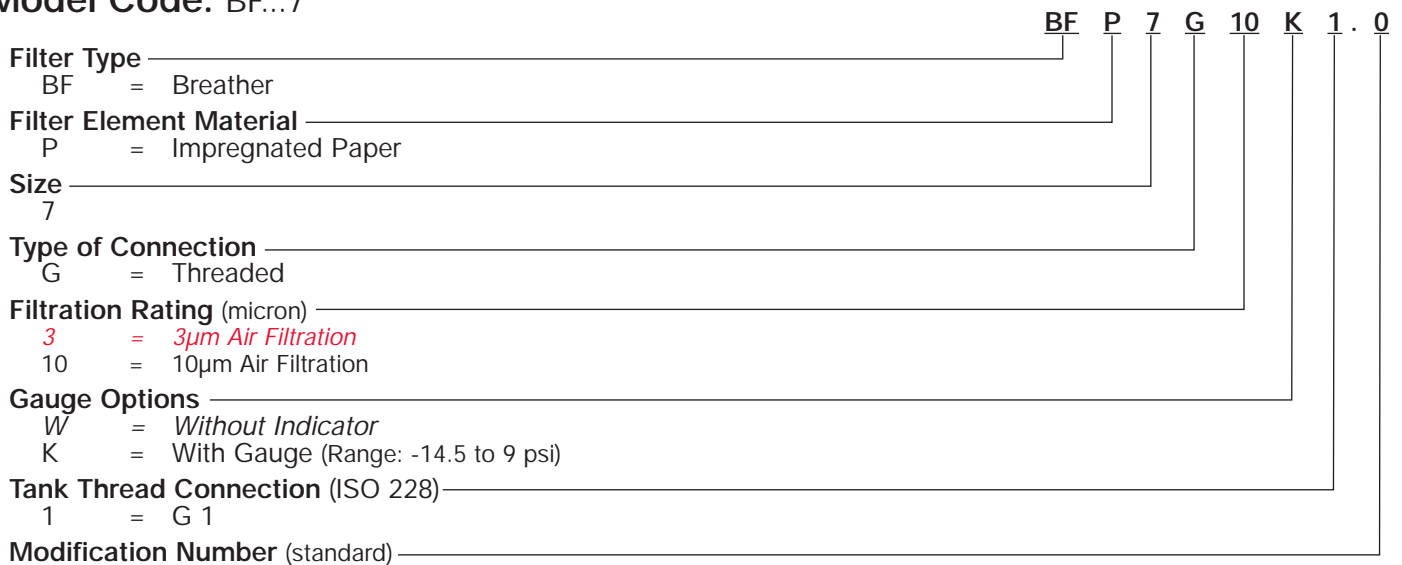
Replacement Elements		
Micron	Model Code	Part No.
3	<i>0007L003P</i>	<i>00310948</i>
10	0007L010P	00310485



Hydraulic Symbols:



Model Code: BF...7



*Model Codes containing selections listed in red italics are non-standard items – Minimum quantities may apply – Contact HYDAC for information and availability
Not all combinations are available*

